

WILO PUMP

WILO-PARA ** 8/ SC

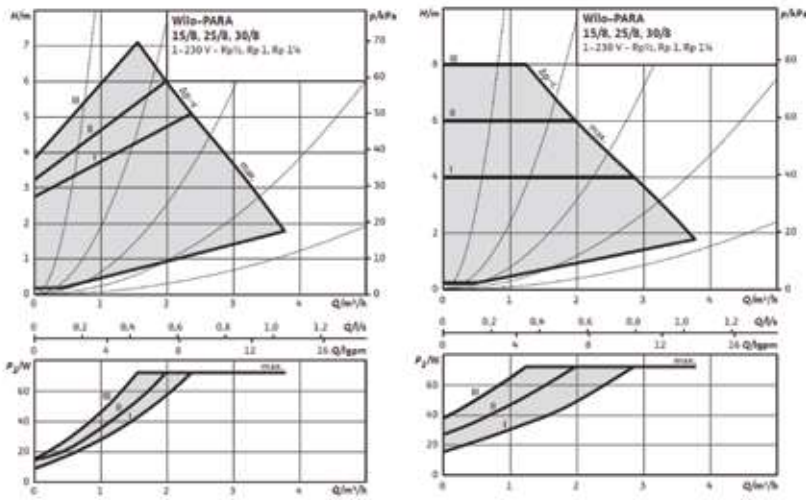
Field of application  Heating

Para 15-130/8-75/SC-12

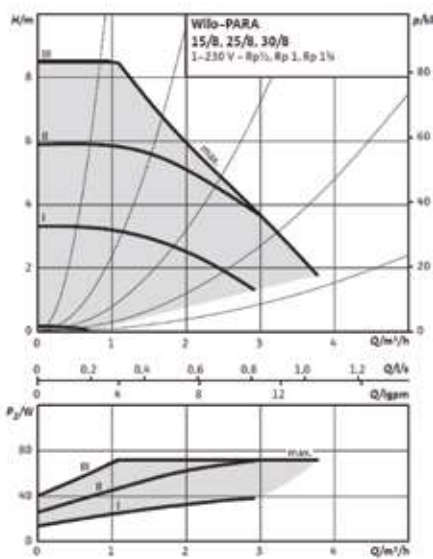
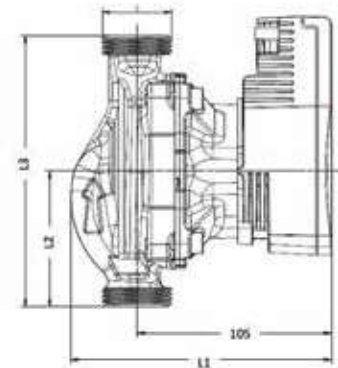
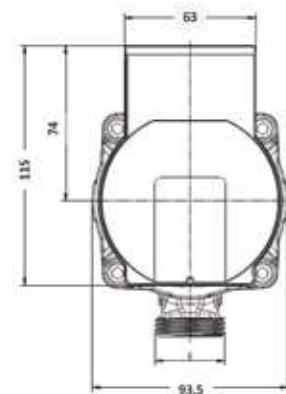


WILO	High Efficiency pump for heating application
-	Inline cast iron pump housing
15	Threaded connection DN 15 (25, 30: also available)
130	Pump housing length 130 (180: also available)
8	8,4= delivery head in [m] at Q = 0 m ³ /h
75	Max power consumption
SC	The pump is controlled by Push button technology SC = ΔP-v, ΔP-c, constant speed I, II, III
12	Control box orientation 12 o'clock (3, 6, 9 o'clock: also available)

HYDRAULIC OPERATIONAL AREA



DIMENSIONS



Type	G	L1 mm	L2 mm	L3 mm	Weight kg
15-130/8	G1	138	65	130	1,7
25-130/8	G 1 1/2	138	65	130	1,8
25-180/8	G 1 1/2	138	90	180	2
30-180/8	G2	138	90	180	2,1

ELECTRICAL POWER CONNECTIONS

Integrated Molex 3-way connector



Available mains cables

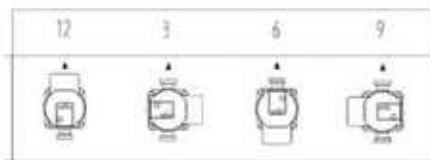
Overmoulded power connector with brass end splices and type Facon PR260 on terminal box side (deconnection possible)

Cable length

500mm	4530966
1000mm	4524578
1500mm	4530763
2000mm	4527857

Not assembled

ELECTRICAL BOX ORIENTATION



▲ Flow direction



Approved Fluids
(other fluids on request)

Heating Water (in Accordance with VDI 2035)
Water-glycol mixtures (max. 1:1; above 20% admixture, the pumping data must be checked)

Power	
Energy Efficiency Index (EEI)	≤ 0.21
Max. delivery head	8,4 m
Max. volume flow	4 m ³ /h
Permitted field of application	
Temperature range for applications in HVAC systems at max. ambient temperature. Limit values for continuous operation at maximum rated power	Of 58°C = 0 to 100°C Of 62°C = 0 to 90°C Of 66°C = 0 to 80°C Of 71°C = 0 to 70°C
Maximum static pressure	PN 10
Electrical connection	
Mains connection	1~230 V +10%/-15%, 50/60 Hz (IEC 60038 standard voltage)

Motor/electronics	
Low voltage directive	2014/95/EC Conform
Electromagnetic compatibility	EN 61800-3
Emitted interference	EN 61000-6-3 EN 61000-6-4
Interference resistance	EN 61000-6-2 EN 61000-6-1
Protection class	IPx4D
Insulation class	F
RoHS / REACH	Compliant but not submitted

Minimum suction head at suction port to avoid cavitation at water pumping temperature	
Minimum suction head at 50/95°C	0,5/4,5 m

Motor data

Para	Speed	Power consumption 1-230 V	Current at	Motor protection
	n	P1	I	-
	rpm	W	A	-
** /8-75/ SC	2500 - 4800	10-75	0.03-0.38	Integrated

Materials

Para	Pumping House	Impeller	Pump Shaft	Bearing
** /8-75/ SC	Cast iron with cataphoresis treatment	PP composite with GF 40%	Stainless steel	Carbon, metal impregnated