

Pioneering for You

HVAC OEM Competence Centre

Para ** 8/SC

Datasheet



Wilo-Para ** 8/SC

Heating



Field of application



Heating

Para 15-130/8-75/SC-12

WILO

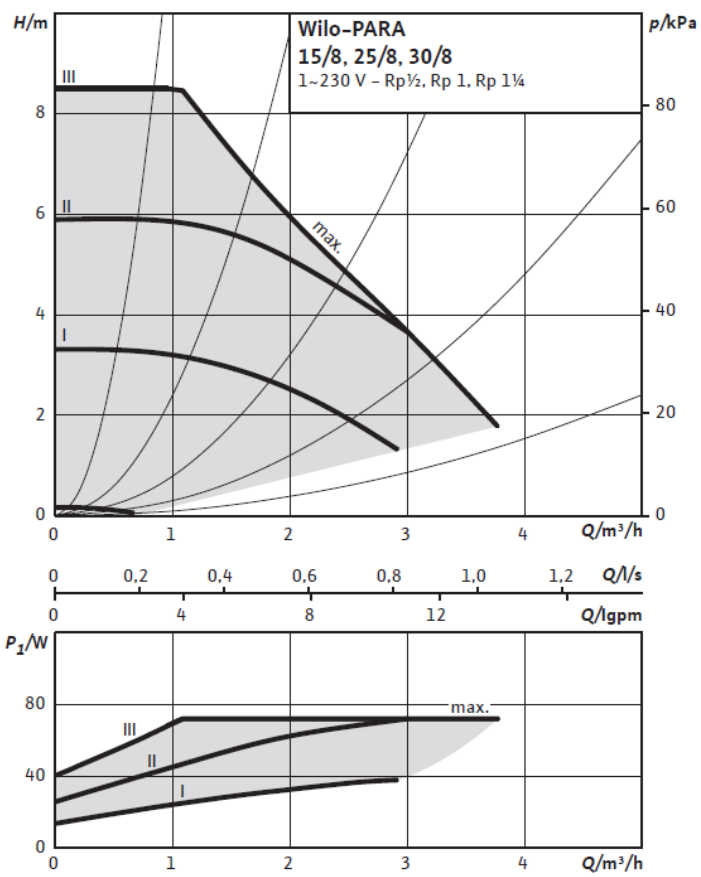
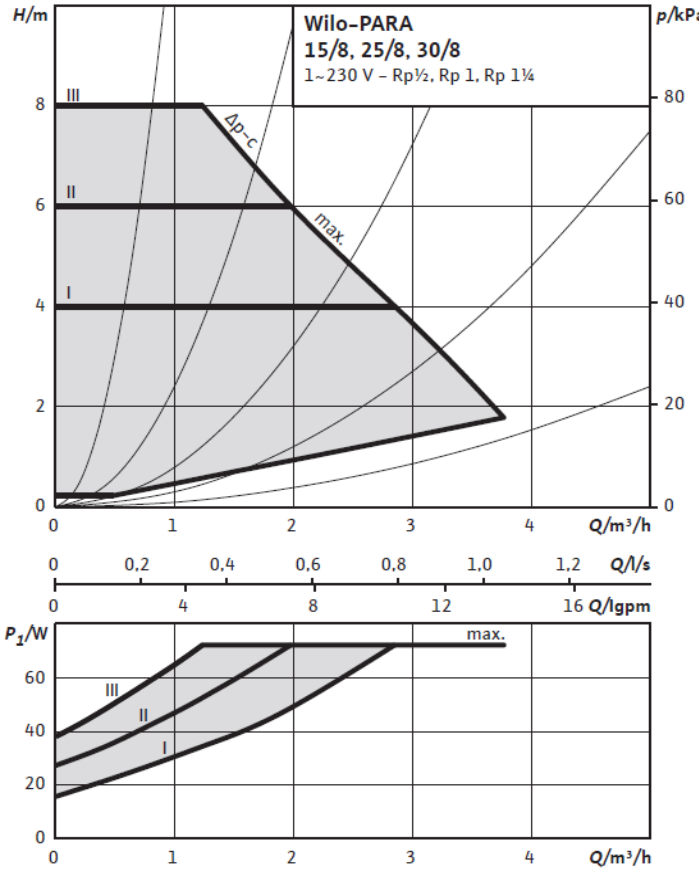
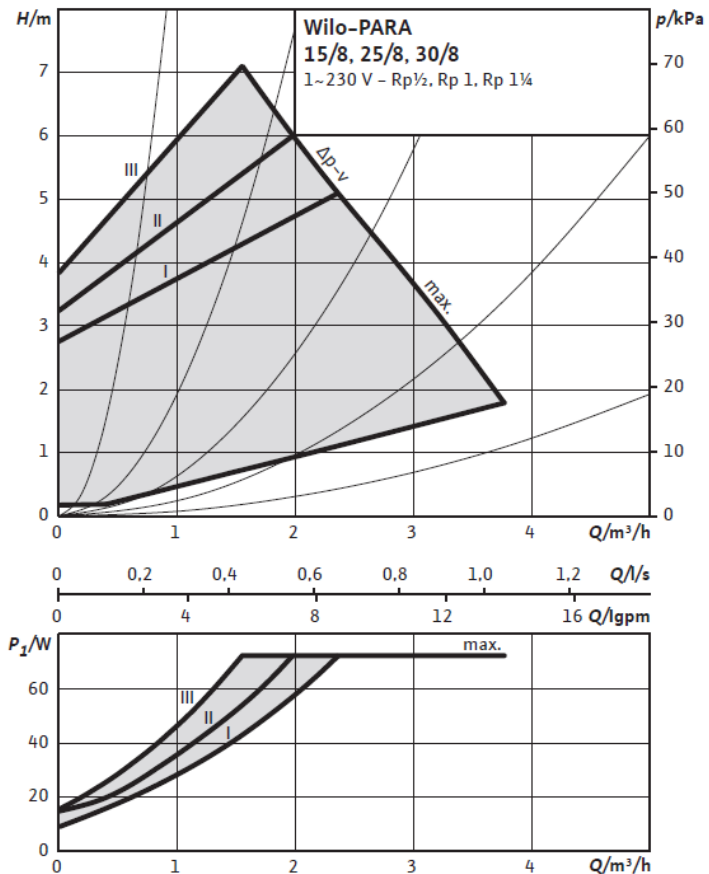
High Efficiency pump for heating application

-	Inline cast iron pump housing
15	Threaded connection DN 15 (25, 30: also available)
130	Pump housing length 130 (180: also available)
8	8,4= delivery head in [m] at Q = 0 m ³ /h
75	Max power consumption
SC	The pump is controlled by Push button technology SC = ΔP-v, ΔP-c, constant speed I, II, III
12	Control box orientation 12 o'clock (3, 6, 9 o'clock: also available)

Hydraulic operational area



Heating



Datasheet Wilo-Para ** 8/SC 03/07

Hydraulic operational area

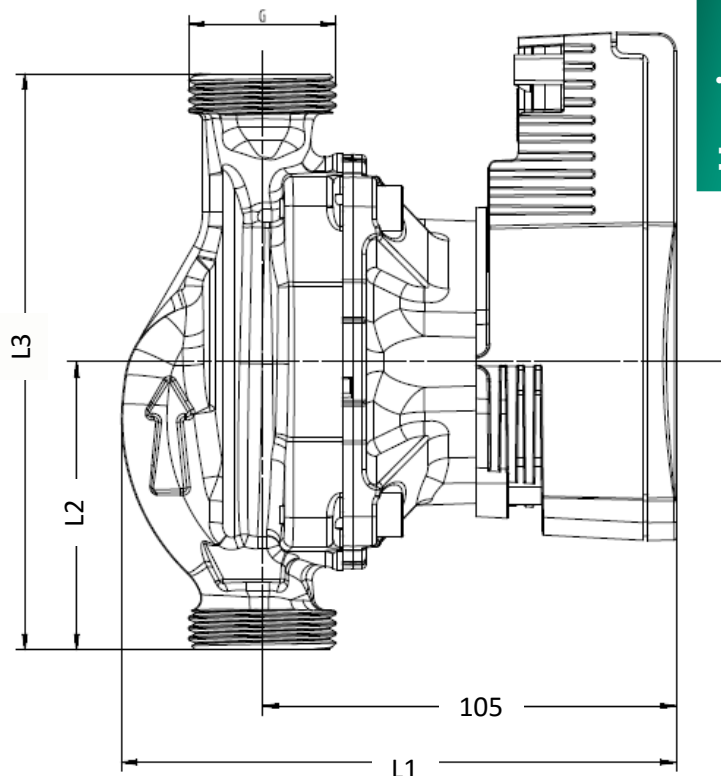
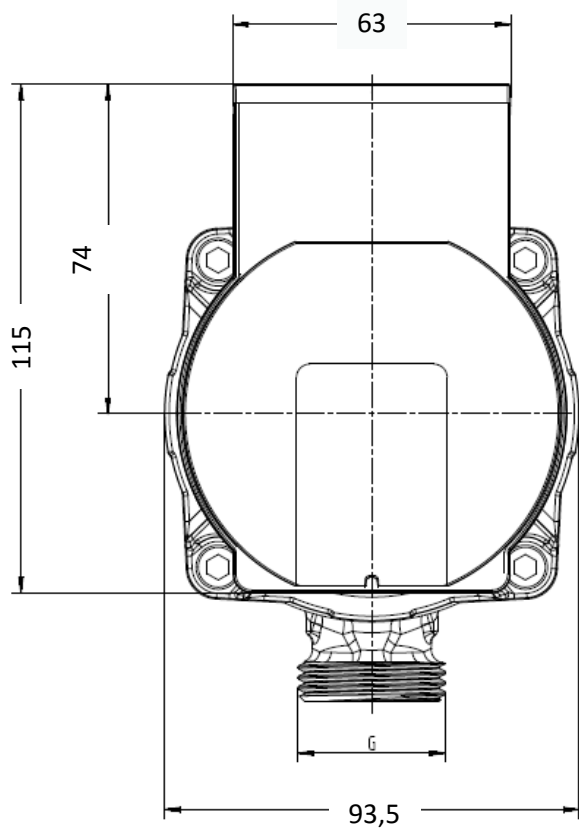



Heating



Standard factory setting

Dimensions



Heating



Type	G	L1	L2	L3	Weight
		mm	mm	mm	kg
15-130/8	G 1	138	65	130	1,7
25-130/8	G 1 1/2	138	65	130	1,8
25-180/8	G 1 1/2	138	90	180	2
30-180/8	G 2	138	90	180	2,1

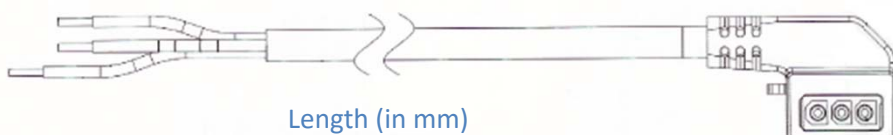


Electrical Power connections

Integrated Molex 3-way connector



Accessories power cable



Available mains cables

Overmoulded power connector with brass end splices and type Facon PR260 on terminal box side (disconnection possible)

cable length 500mm	4530966
cable length 1000mm	4524578
cable length 1500mm	4530763
cable length 2000mm	4527857

Not assembled



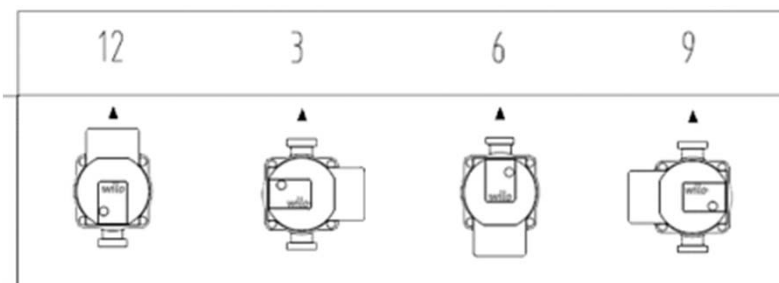
Molex 3 ways



WS8

Electrical Box orientation

▲ Flow direction



Approved fluids
(other fluids on request)

Heating water (in accordance with VDI 2035)
Water-glycol mixtures (max. 1:1; above 20% admixture, the pumping data must be checked)

Power

Energy Efficiency Index (EEI)	≤ 0.21
Max. delivery head	8,4 m
Max. volume flow	4 m ³ /h

Permitted field of application

Temperature range for applications in HVAC systems at max. ambient temperature. Limit values for continuous operation at maximum rated power	Of 58°C = 0 to 100°C Of 62°C = 0 to 90°C Of 66°C = 0 to 80°C Of 71°C = 0 to 70°C
Maximum static pressure	PN 10

Electrical connection

Mains connection	1~230 V +10%/-15%, 50/60 Hz (IEC 60038 standard voltage)
------------------	--

Motor/electronics

Low voltage directive	2014/95/EC Conform
Electromagnetic compatibility	EN 61800-3
Emitted interference	EN 61000-6-3 EN 61000-6-4
Interference resistance	EN 61000-6-2 EN 61000-6-1
Protection class	IPx4D
Insulation class	F
RoHS / REACH	Compliant but not submitted

Minimum suction head at suction port to avoid cavitation at water pumping temperature

Minimum suction head at 50/95°C	0.5/4.5 m
---------------------------------	-----------

Motor data

Para	Speed	Power consumption 1-230 V	Current at 1-230 V	Motor protection
	n	P1	I	-
	rpm	W	A	-
** /8-75/SC	2500 - 4800	10-75	0.03-0.38	Integrated

Materials

Para	Pump housing	Impeller	Pump shaft	Bearing
** /8-75/SC	Cast iron with cataphoresis treatment	PP composite with GF 40%	Stainless steel	Carbon, metal impregnated

wilo

Pioneering for You

WILO Group – HVAC OEM Competence Centre

WILO Intec
50 av. Casella
18700 – Aubigny sur Nère
France
T +33 2 48 81 62 62
information@wilointec.com
www.wilo-oem.com

